

# SEMI-VERTICAL CYCLE RACK

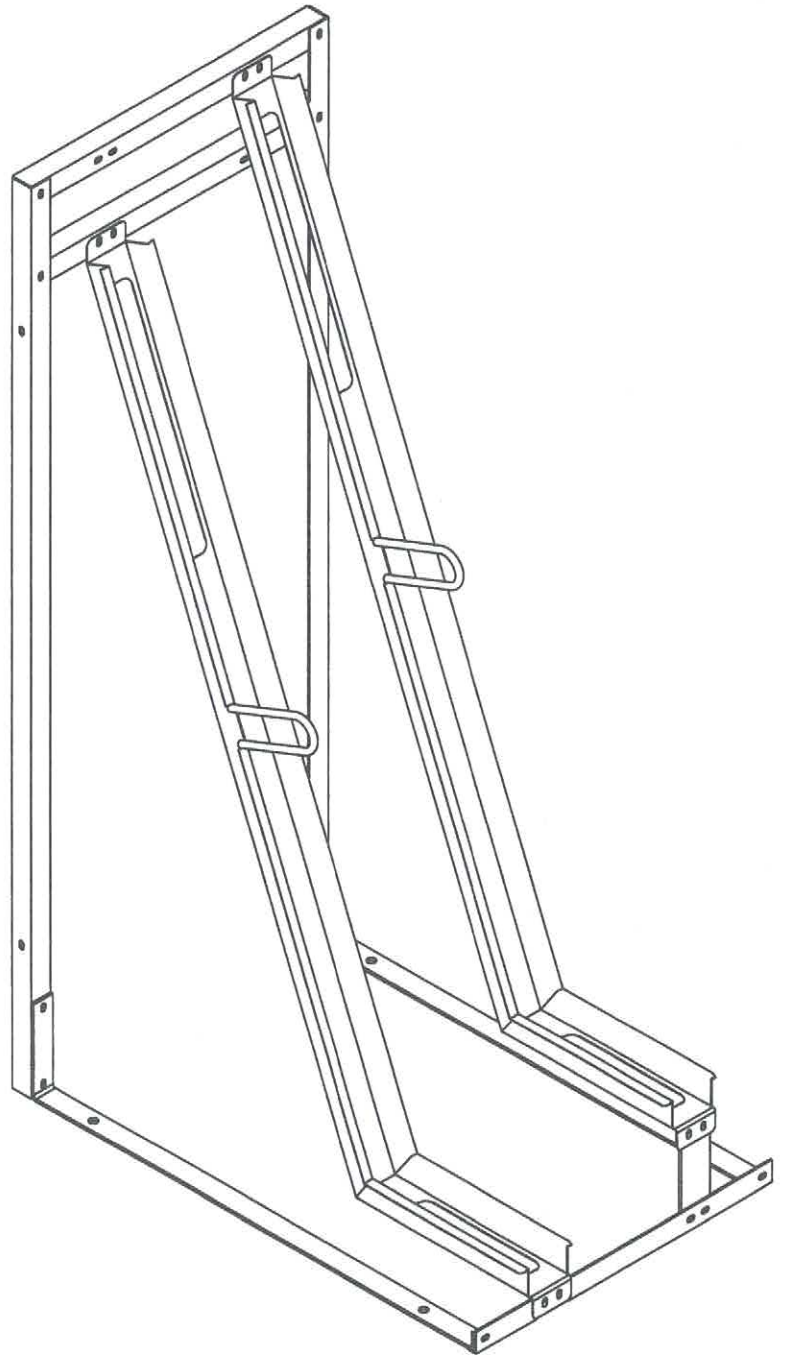
## ASSEMBLY GUIDE

HEIGHT: 1660mm

DEPTH: 1010mm

WIDTH SIZES:

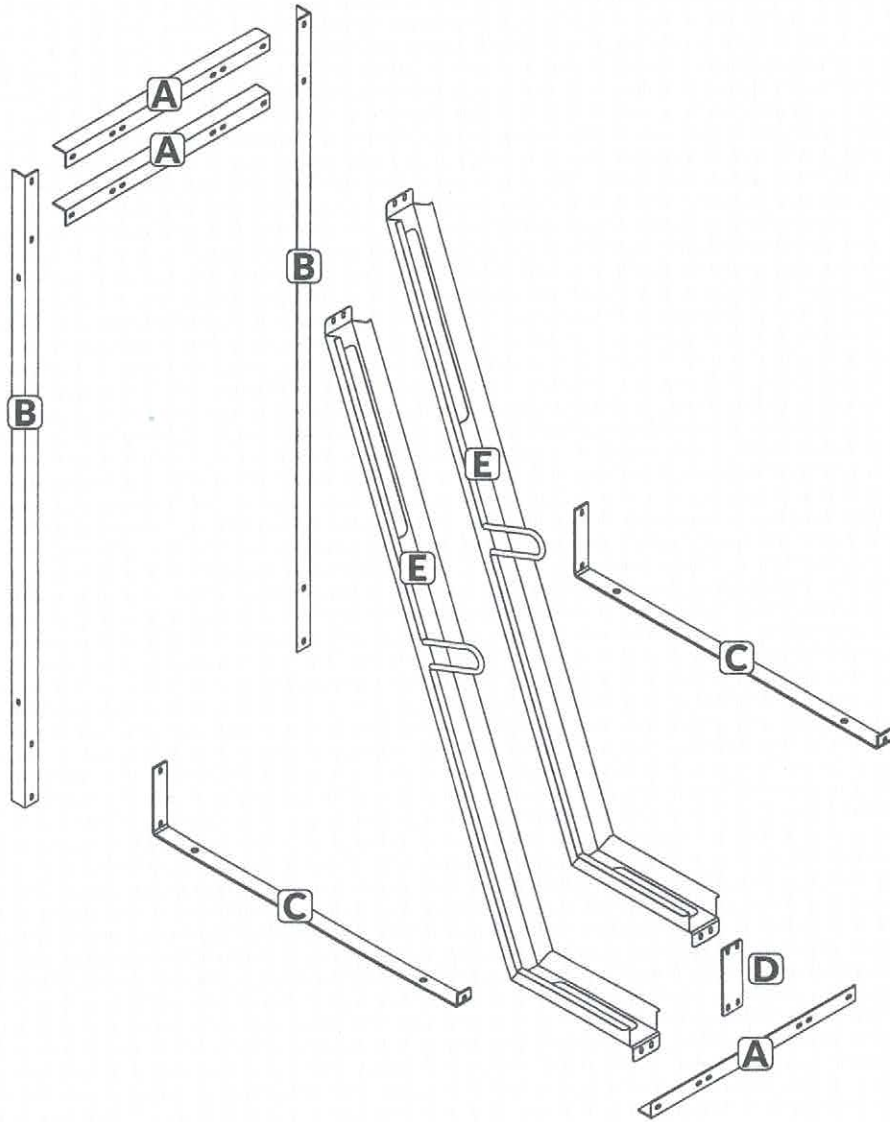
 mm	
3	917
4	1222
5	1528
6	1833
7	2139
8	2444
9	2749
10	3055
11	3360
12	3666
13	3971
14	4277
15	4582
16	4888
17	5193
18	5499
19	5804
20	6110



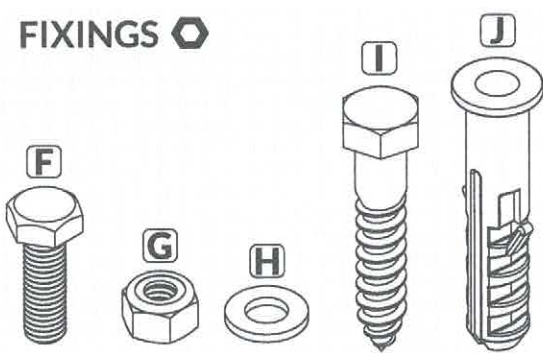
## PACKING LIST

ITEM	DESCRIPTION	LABEL	QTY	FRAME(S)
1	Crossbar (6-space)	A		
2	Crossbar (5-space)	A		
3	Crossbar (4-space)	A		
4	Crossbar (3-space)	A		
5	Crossbar (2-space)	A		
6	Side Angle	B		
7	Floor Bracket	C		
8	Upper Brackets	D		
9	Cycle Bracket	E		
	Bolt M8x25	F		
Fixings	Nylon Nut M8	G		
	Washer M8	H		
Floor Fixings	Hex Coach Screw M10x50	I		
	Raw Plug Ø12x60	J		

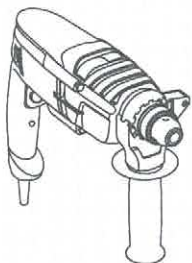
**PARTS** 



**FIXINGS** 



**TOOLS NEEDED** 



Drill



12mm SDS Drill Bit



Impact Driver



13, 17 mm sockets



13 mm Spanner

# ASSEMBLY

Step 1- Connecting the Crossbars (A) to the Side Angles (B).

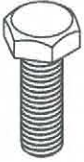


Ax2

Bx2



Fx4



Gx4



Hx8



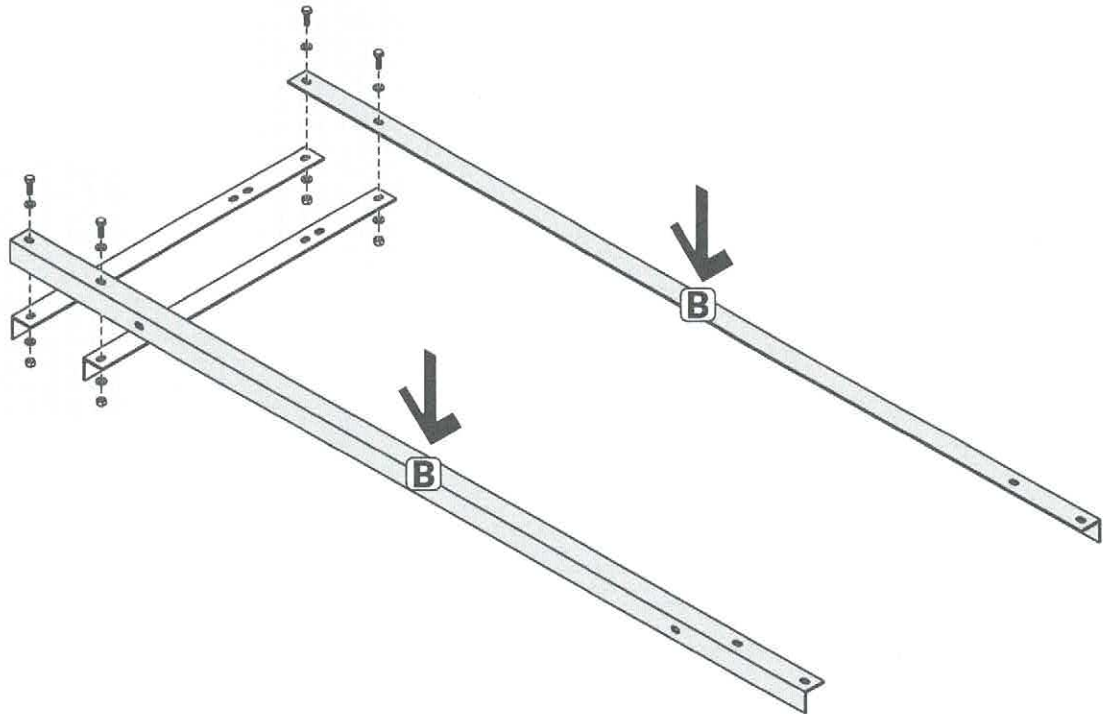
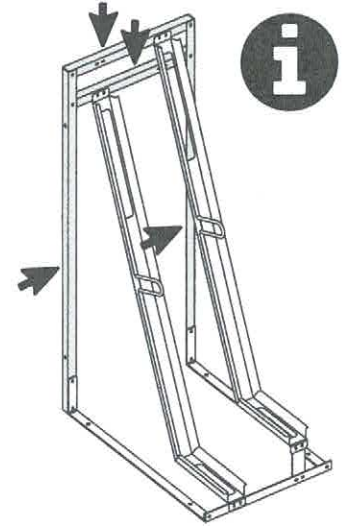
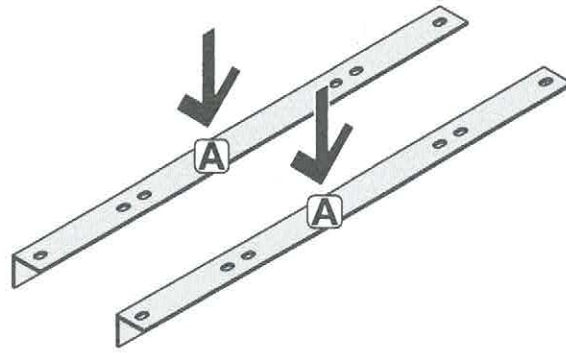
Impact Driver



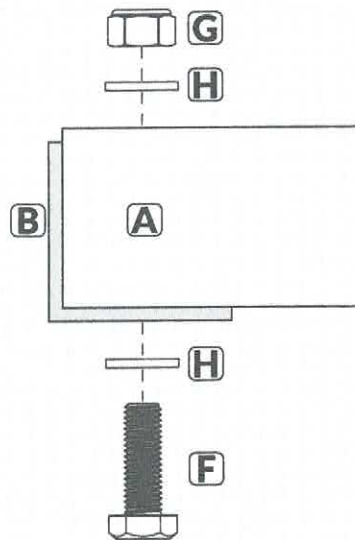
13mm sockets



13mm Spanner



## TOP VIEW DETAIL



# ASSEMBLY

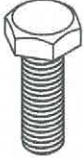
## Step 2- Connecting Floor Brackets (C) to Side Angles (B).



Cx2



Fx4



Gx4



Hx8



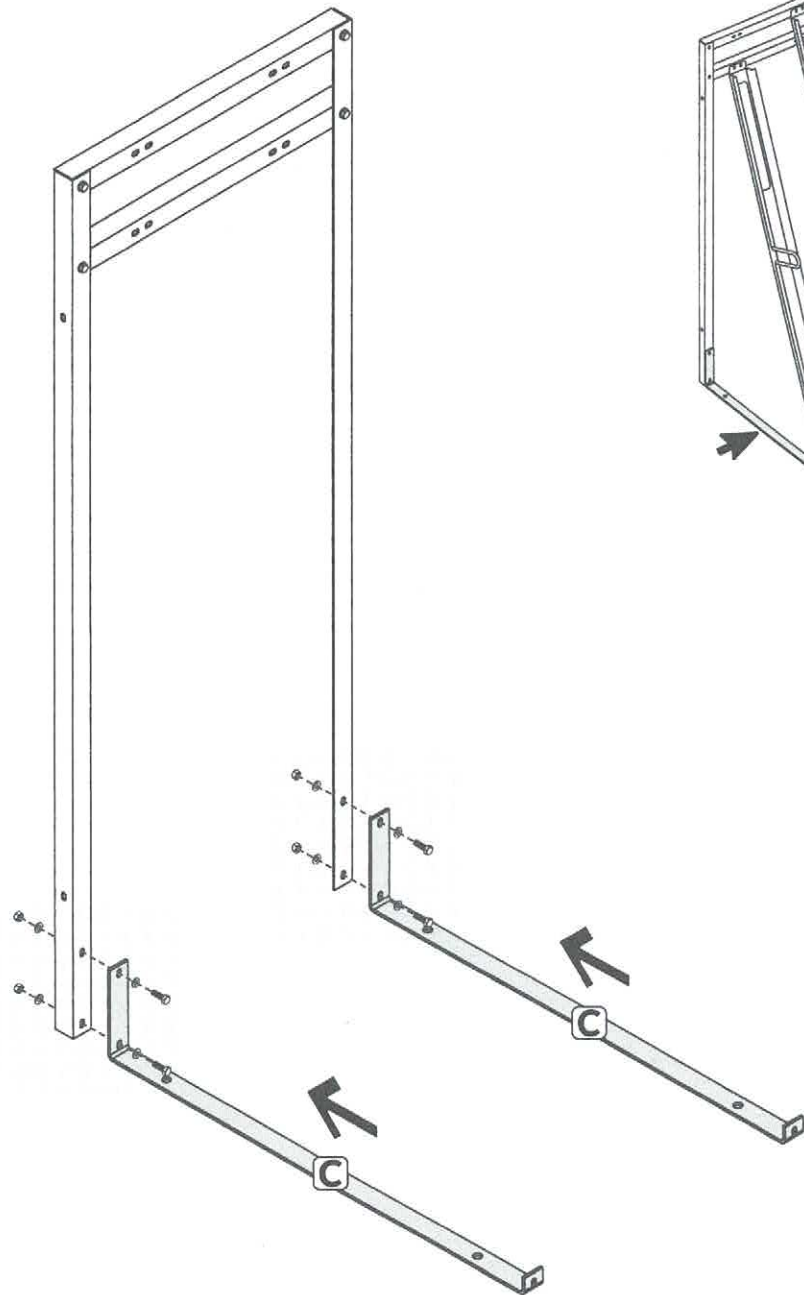
Impact Driver



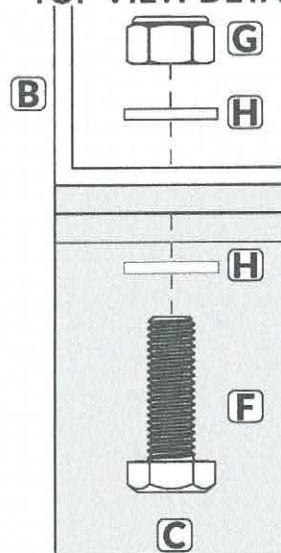
13mm sockets



13mm Spanner



### TOP VIEW DETAIL



# ASSEMBLY

## Step 3- Connecting bottom Crossbar (A) to Floor Brackets (C).



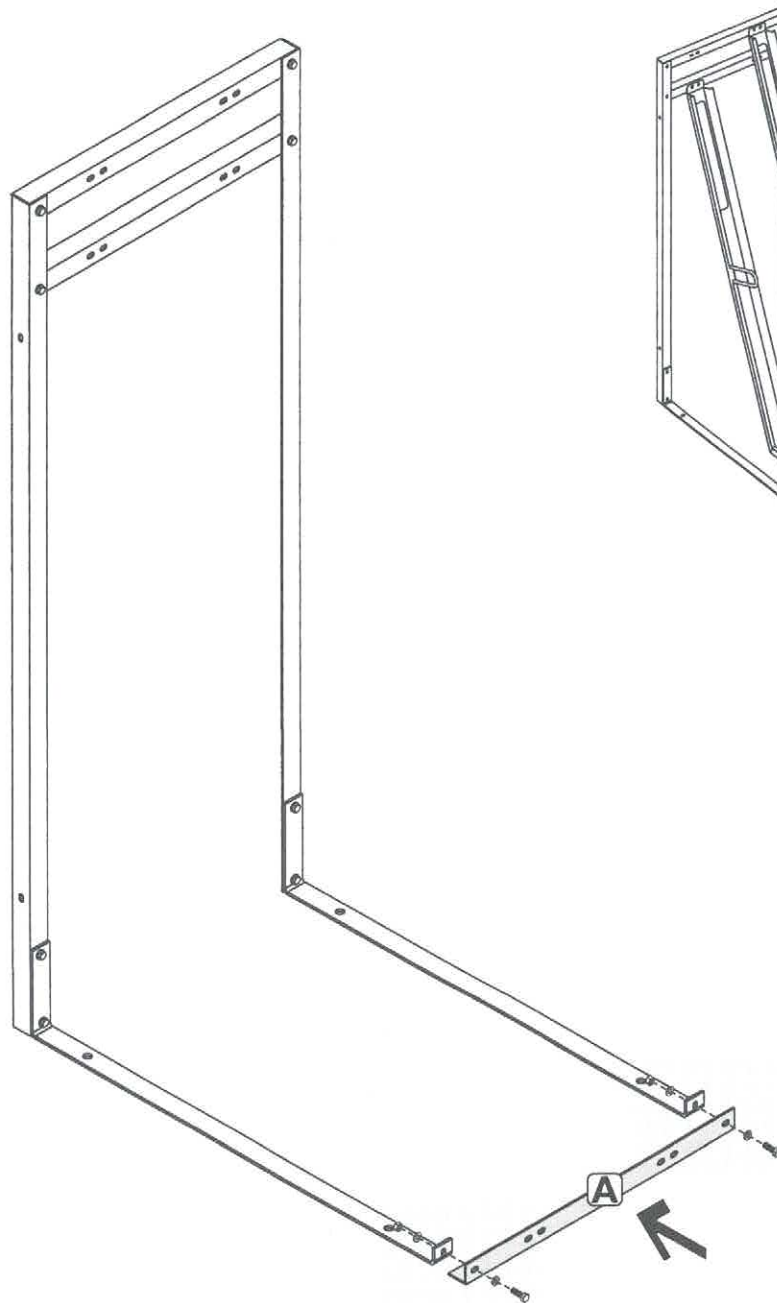
Impact Driver



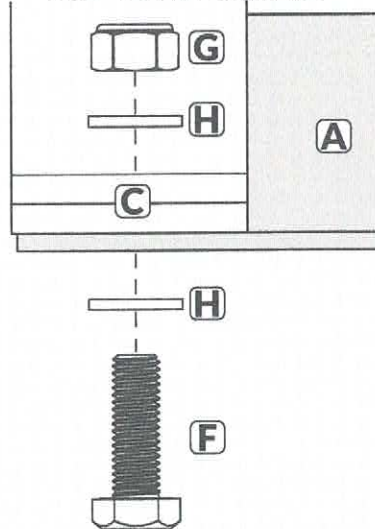
13mm sockets



13mm Spanner



### TOP VIEW DETAIL



# ASSEMBLY

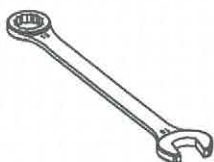
Step 4- Connecting upper Bracket (D) to bottom Crossbar (A).



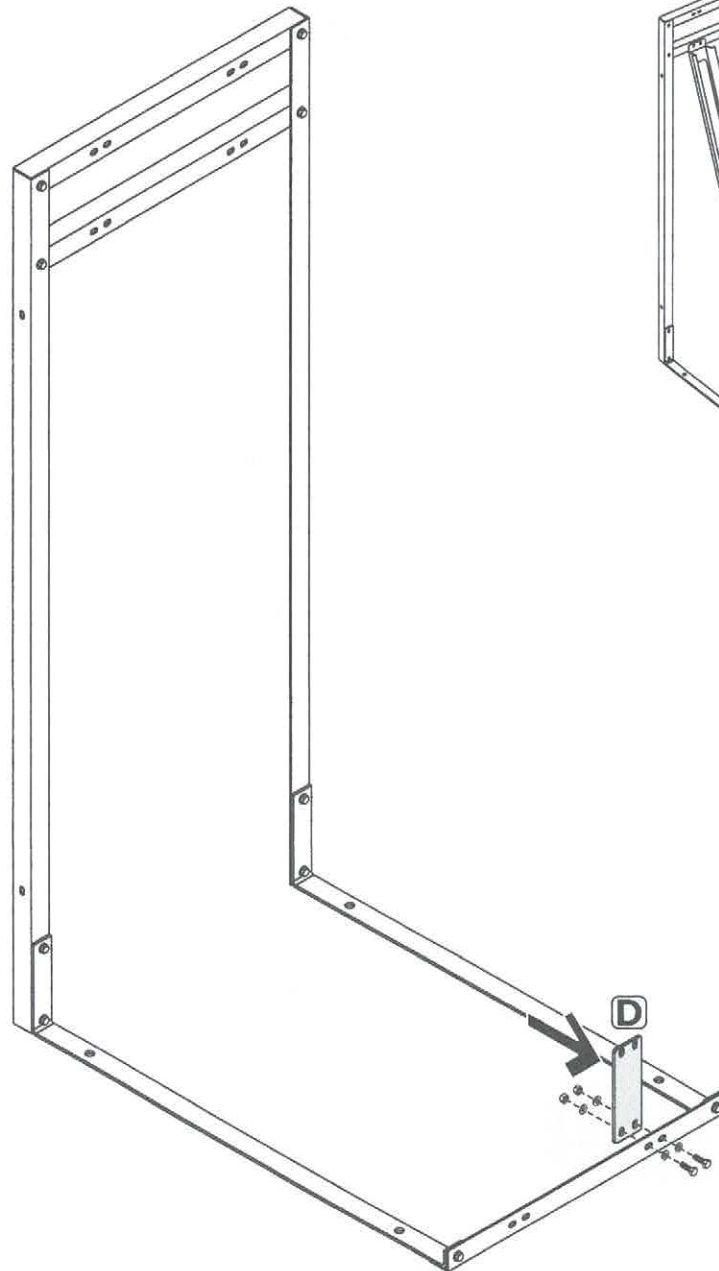
Impact Driver



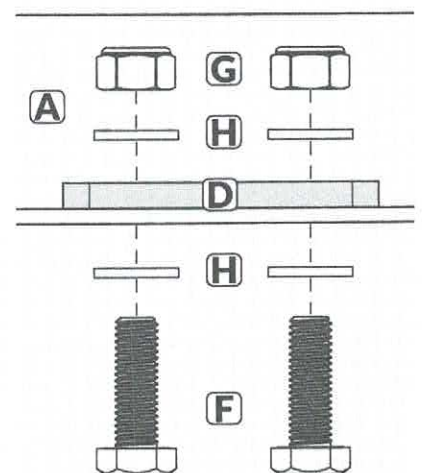
13mm sockets



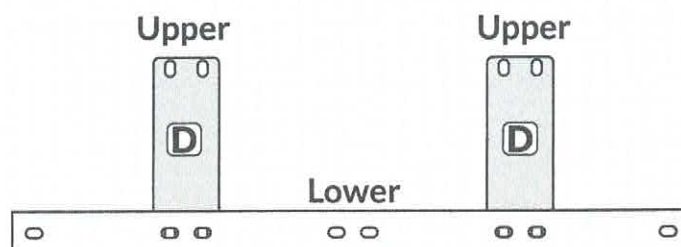
13mm Spanner



## TOP VIEW DETAIL



## ORIENTATION



# ASSEMBLY

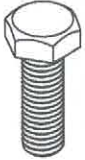
## Step 5- Connecting the Cycle Brackets (E).



**E**x2



**F**x8



**G**x8



**H**x16



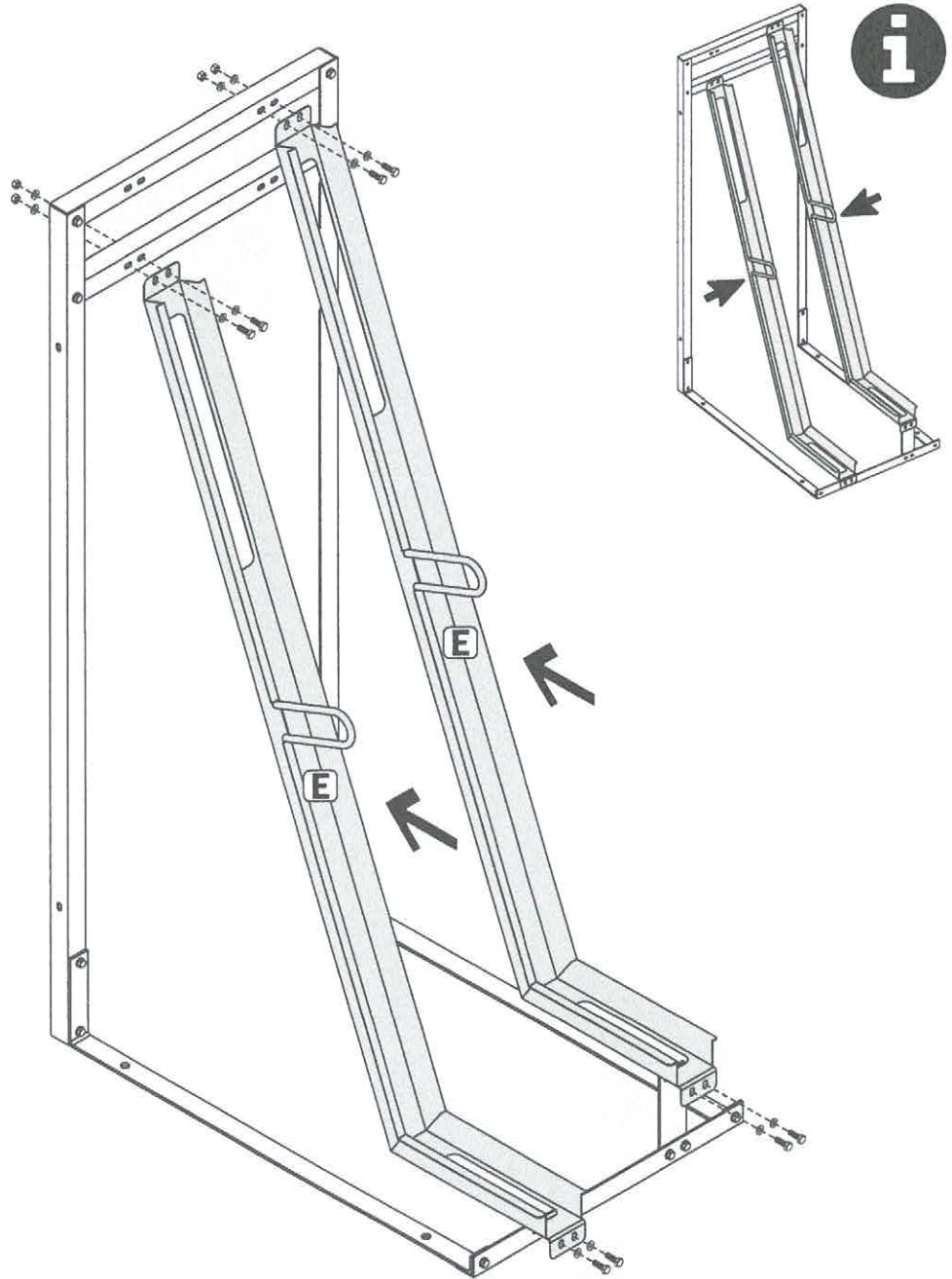
Impact Driver



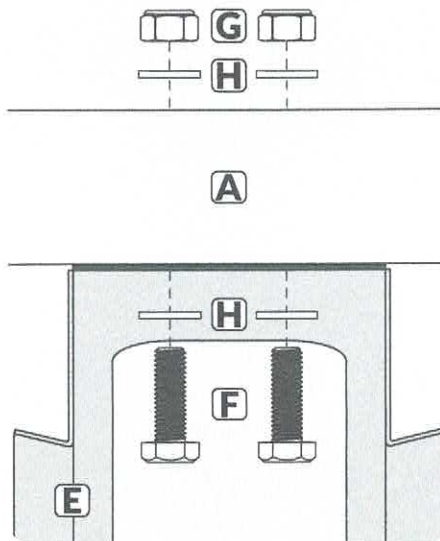
13mm sockets



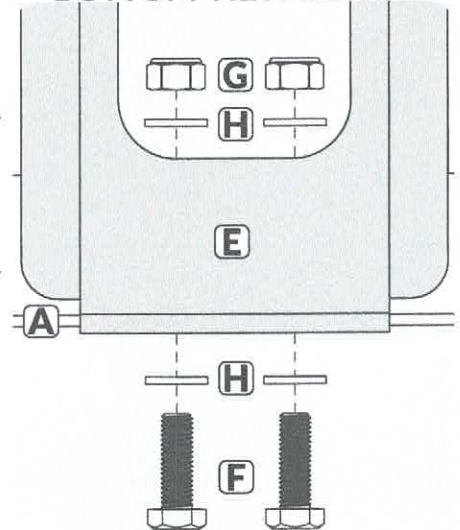
13mm Spanner



TOP VIEW DETAIL



BOTTOM VIEW DETAIL



# ASSEMBLY

Step 5- FIXING FRAME TO FRAME: Line Side Angles (**B**) as shown below.



**F**x2



**G**x2



**H**x4



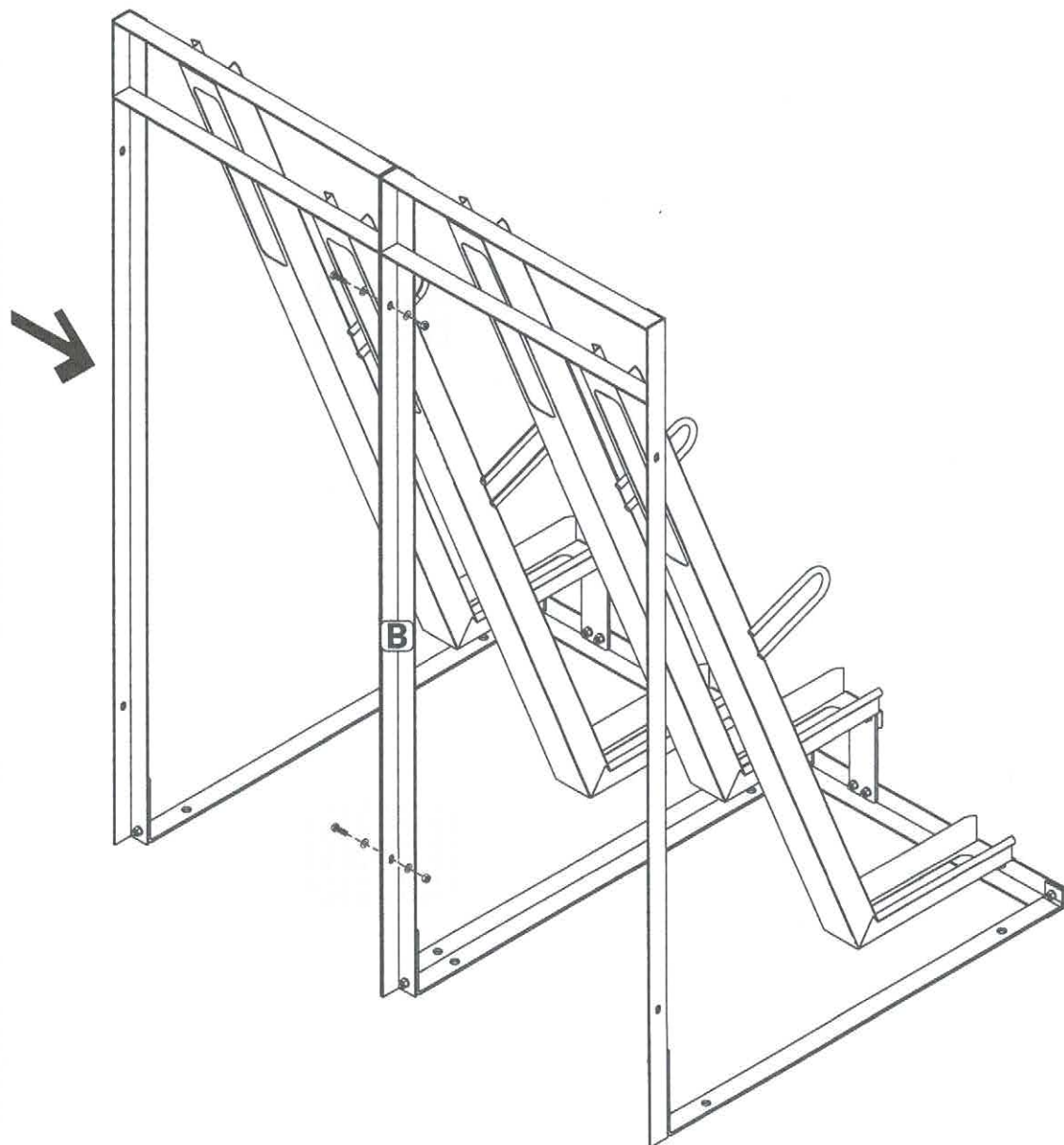
Impact Driver



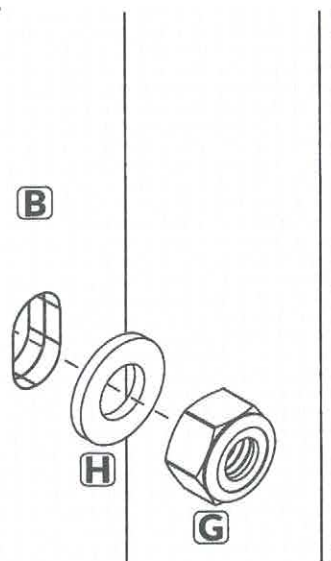
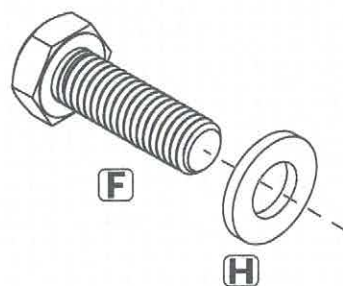
13mm sockets



13mm Spanner



## DETAIL

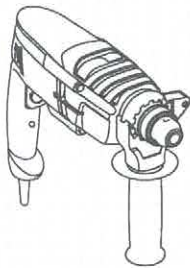
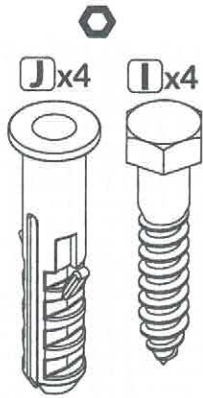


## ASSEMBLY



### Step 5- FIXING FRAME TO FLOOR:

1. Position the Rack in place and drill dowel holes through the holes in the Floor Brackets (C).
2. Move the Rack to reveal the holes and insert the Raw Plugs (J).
3. Reposition the Rack in place and screw the Hex Coach Screws (I) through the holes on the Floor Brackets (C).



Drill



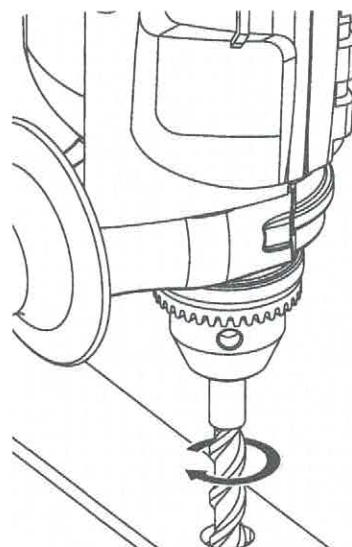
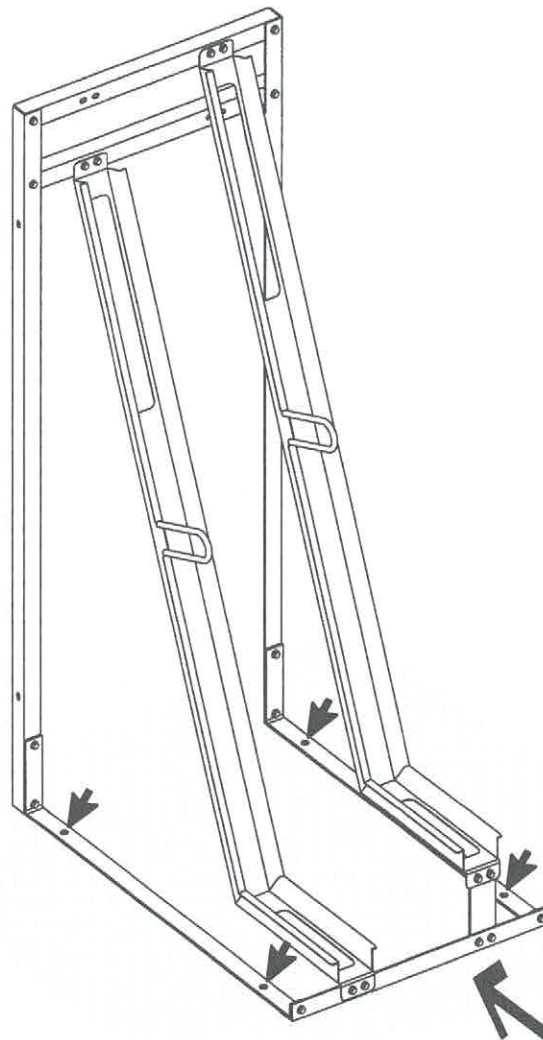
12mm SDS Drill Bit



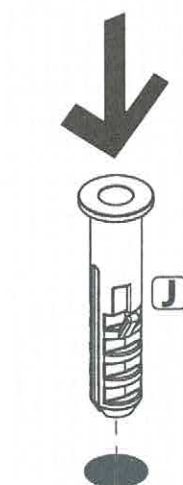
Impact Driver



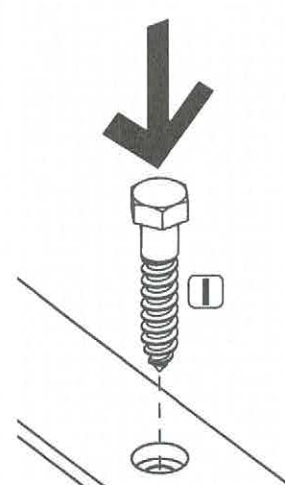
17 mm sockets



1



2



3